

DC Power / Energy Absorber Test System

60 kW

DC Power and Regenerative Load Applications

400 V

- 750 VA to 2250 VA of AC Output Power
- Combines AC/DC source and power analyzer
- Harmonic analysis of Voltage and Current
- AC, DC and AC+DC Output Modes
- Multiple Chassis Configurations
- Powerful output transient generation
- High Crest Factor Capability
- Arbitrary waveform generation
- Single and Three Phase models available



150 A

~

208

400

480

↔ GPIB RS232

LOCK 洛克儀器
Lock Instrument Co. Ltd

System Description

The Energy Absorber Test System includes power supplies and a regenerative energy absorber with a rating of 400VDC at ± 150 A. The system consists of DC power supplies, an AC distribution and interlock system, an energy absorber chassis and an absorber load resistor chassis. The power sources are equipped with a remote control option allowing control via GPIB or with front panel controls in local mode. The operation of the specific parts of the system is described in the sections below.

DC Power Supplies

The power supplies consist of two model types each rated for 0-400VDC at 75A. The SGI supply includes a GPIB programming interface and operates as the Master supply. The SGA supply is used as a Slave, operating as a voltage controlled current source. This Master/Slave operation is used to provide up to 400V at 150A for 60kW of output power. By operating in a Master/Slave configuration, the supplies operate as one unit that can be controlled from the Master unit through either local control or IEEE-488 operation.

The DC power supplies contain a provision for voltage and current readback. The current readback on the front panel of the supplies is set up so that the SGI supply indicates the sum of both supplies. As used in this system, the power supply current monitoring indicates the actual power supplies output current. Regenerative current is not conducted through the power supplies due to a blocking diode in the Energy Absorber chassis so the system current readback is available separately.

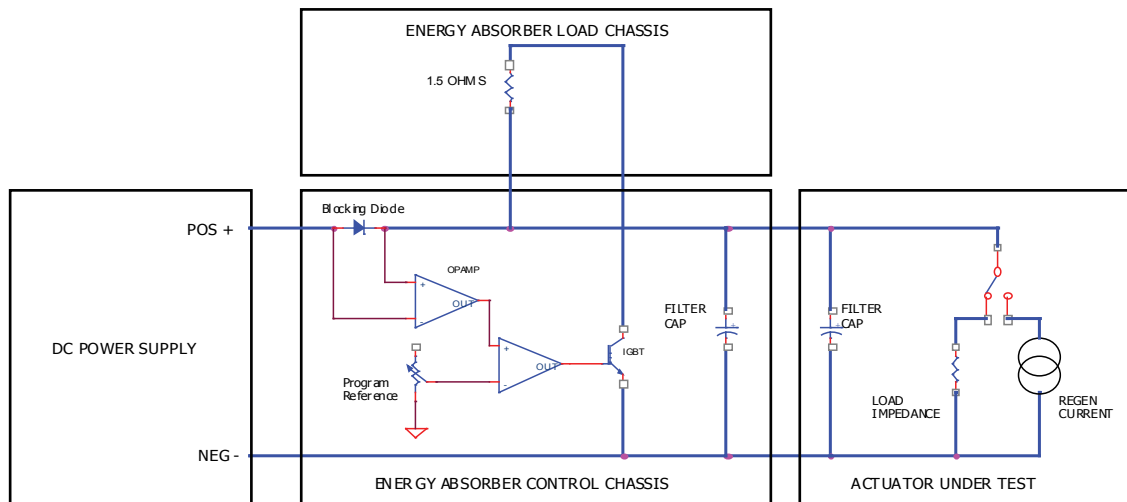
Energy Absorber Load Chassis

The Energy Absorber Load chassis contains the regenerative resistive load element. The load consists of numerous high power resistors connected in series/parallel banks, creating a total resistance of approximately 1.5 Ohms at 30kW continuous and 60kW peak.

(台北)新北市中和區中正路764號6樓
TEL: (02)3234-6000
(新竹)新竹市北區光華二街72巷79號
TEL: (03)532-4199
官方網站: www.lockinc.com.tw
網路商店: www.pcstore.com.tw/lock

DC Power / Energy Absorber Test System

Block Diagram of Energy Absorber and Actuator



Energy Absorber Control Chassis

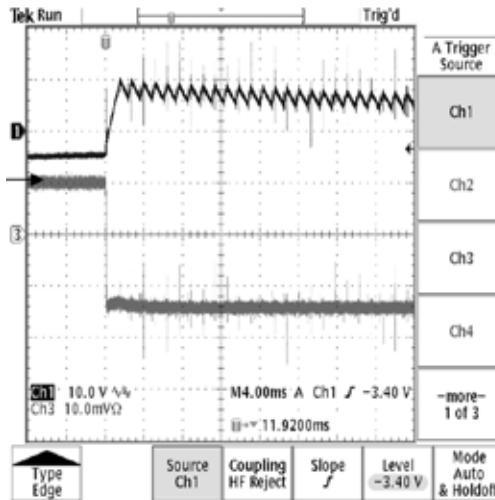
The Energy Absorber Control chassis contains primary and secondary voltage clamps consisting of an IGBT and an SCR. In addition, it contains a GPIB programmer and measurement circuitry and controls that provide drive signals to the power components. In the chassis, high current bus capacitors are connected between the output to limit the rate of rise of voltage (slew rate) allowing the IGBT to operate at a controlled frequency when an external Regen current pulse occurs and to store energy to provide high peak current pulses to the load. A blocking diode in series with the input power supplies is used to detect the direction and amplitude of current flow. A differential amplifier is used to monitor the voltage across the blocking diode and regulate it to a value programmed by the internal GPIB controller which is independent of the input voltage level. Since it is desirable in some tests to allow the voltage to increase above the normal voltage level during the Regen pulse event, the output occurring across the blocking diode is scaled so that the voltage that is fed to a comparator is proportional to the controllers D-A converter that is calibrated to this same voltage range. When currents from the actuator conduct back into the absorber chassis, the bus capacitor

charges until the input to the comparator reaches the programmed threshold and activates a drive signal to turn on the power IGBT connecting the absorber load resistor across the output bus. The resistor discharges the output capacitor until a lower threshold voltage is reached on the comparator. In this manner, with the actuator Regen current providing the charging current and the absorber load resistor providing the discharge current, the bus capacitor bank voltage can be maintained at a constant level with approximately 5V peak to peak of ripple during the charge and discharge intervals. The Energy Absorber Control chassis also contains circuitry to activate AC input contactors, relays and power supply shutdown signals, which are enabled through a control connector. Also available are high bandwidth 0-10V analog circuitry proportional to the DC output voltage and current for monitoring with an oscilloscope or external analog system. The voltage and current monitors are also available on an internal GPIB controller in the Absorber chassis so that their values can be queried over the bus. Additional functions in the chassis include an OVP detector for a secondary protection SCR in the case of a power interruption, and front panel status LEDs to show the operating status of the OVP circuit, relays and contactors.

DC Power / Energy Absorber Test System

The oscilloscope photo example shows the action of the power supplies and regen circuitry to a specific loading condition.

The photo shows an expanded view of the output voltage where the charge and discharge intervals are more visible. The bottom trace is output current that on the Energy Absorber power rack during a pulsed regenerative event. The top trace (1) shows the output voltage programmed to 270VDC at 10V/div AC coupled. The lower trace (3) shows the load current at 100A/div being switched between a resistive load of 100A and the Regen current at 150A. The arrow at the center of the scope trace is the zero current level. The scope trace is shown at 4msec/div.



Communication

Communication to control the power supply outputs and readback of voltage and current in the power supplies is accomplished with a GPIB interface using standard SCPI commands. The power supplies can also be operated manually from the front panels. The Energy Absorber chassis includes a GPIB interface for programming the Regen clamping limit, input contactor closure, dropout relay closure and voltage and current readbacks. A GPIB connection is provided on the rear of the rack for both interfaces.



AC Control and Distribution

The power rack system includes an AC distribution system. With a DC output power rating of 60kW at 480VDC and 150A, the AC input current to the rack is 120A per phase with a 400VAC, 3 phase, 4 wire connection. AC power to the racks is through two pin and sleeve type connectors and routed through circuit breakers and the mains disconnect interlock contactors. The AC interlock operates by energizing relays which are operated by ON/OFF switch closures located on the front panel or with auxiliary switch closures which are available through a rear I/O panel connector. The ON/OFF panel contains two pushbutton switches, an ON pushbutton and a twist to lock OFF button. A door interlock and single point ground connection are also provided.

DC Output

DC output is through an MS type connector of suitable type and ampacity on the panel depicted in the image above. A mating connector is provided.

DC Power / Energy Absorber Test System : Specifications

Input	
Voltage	480VAC \pm 10% L-L 3 Phase, 3 Wire plus ground
Frequency	45-65 Hz
Current	60A per phase max on two AC inlets at full rated output power
Power Factor	0.65 minimum
Connections	Hubbell 460B7W AC Inlet IP67 AC Inlets two (2) each
Output	
Voltage	0-400VDC
Current	0-150A
Connections	MS3102A-36-6S
Efficiency	85% typical @ full load
Energy Absorber	
Current Rating	150A nominal, 335A peak for 50usec
Power Rating	20KW average, 50kW peak for 1 sec
Overvoltage	OVP set at 430VDC
Remote Control Interface	
Discrete Control I/O	D38999/20F35PN MS Connector
IEEE-488 Programming	GPIB Connector
AC Power Control	
Power ON pushbutton on front panel (green)	
Power OFF/Emergency locking pushbutton on front panel (red)	
AC present indicator on front panel	
Remote interlock pins on rear panel control connector	
Physical Characteristics	
Height	73 inches(including casters)
Width	24 inches
Depth	36 inches
Weight	766 lbs.max
Cabinet Color	Black, FED STD 595B,27038
Dress Panel Color	Black, FED STD 595B,27038
Other	Locking Casters; lifting eyebolts
Environment	
Temperature	0-50 C Ambient
Humidity	95% max, non condensing
Altitude	4,000 ft
Certifications	
Sorensen SGA power supplies are NRTL approved to UL102, UL61010, EN61010, IEC61010	